



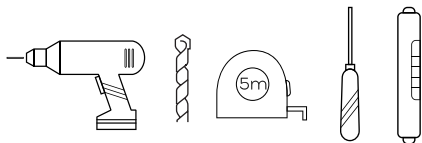
# ErgoValveBar

## INSTALLATION INSTRUCTIONS

4012-SSB, 4012-SSP, 4012-MB, 4012-ORB



### TOOLS REQUIRED FOR INSTALLATION



Electric Drill  
1/8" wood or metal drill bit  
5/16" masonry drill bit  
Tape measure  
Screwdriver  
Level

### IMPORTANT

Check local code for proper placement of ErgoSlideBar to meet requirement such as ADA or ANSI 117.1 Consumer Safety Requirements.

**ERGOVALVEBAR CAN BE MOUNTED THROUGH SHOWER WALL AND SCREWED DIRECTLY TO WOOD OR METAL STUD WHEN APPLICABLE.**

### INSTALLATION QUESTIONS

Before returning your ErgoValveBar to the store or have any question about installation or missing parts please visit the CUSTOMER CARE area on our website [www.PulseShowerSpas.com](http://www.PulseShowerSpas.com).

### WARRANTY

Please visit [www.PulseShowerSpas.com](http://www.PulseShowerSpas.com) for our Manufacture's Lifetime Limited Warranty information.

## PARTS INCLUDED

- Stainless steel rail
- Installation manual

## STEP 1

Position bar on wall at your desired location. Make sure bar is leveled. Trace around mounts with pencil to create your mounting template. Use an allen wrench to remove set screws and remove bar from mounts.

## STEP 2

Install screws through mounting flange and directly into wood/metal stud or bracing. Use two screws and place opposite of each other. Use masonry anchors if necessary.

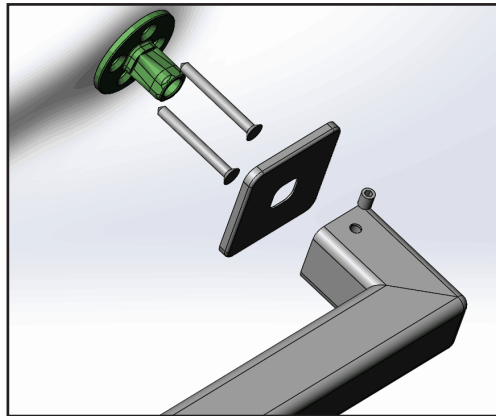
For wood or solid backing applications drill 1/8" pilot holes through shower wall into wood or metal stud.

NOTE: If wall is tiled, drill a 1/8" pilot hole through tile then change to the a 5/16" diameter masonry tile drill bit.

## STEP 3

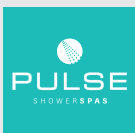
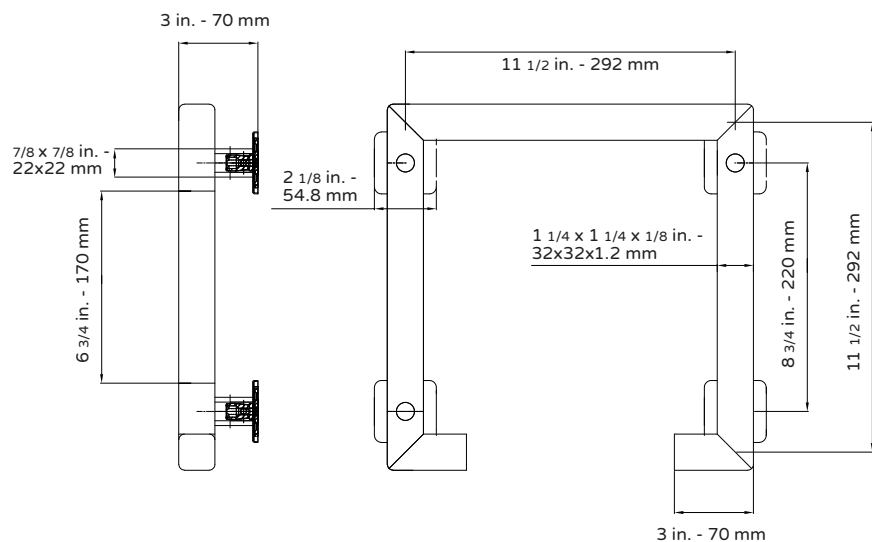
Once all mounts are secured slide on the escutcheon to all mounts. Fasten the bar to all mounts and tighten with set screw.

## DETAIL MOUNTING INSTALLATION



This is an upside down view of your installation to allow you to see the set screws on your bar.

## PRODUCT DIMENSIONS



[www.PulseShowerSpas.com](http://www.PulseShowerSpas.com)

