



PULSE Alcove Tub
Model #PT-2002R-32, PT-2002L-32

Owner's Manual

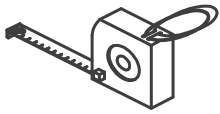


Please Read The Following Instructions
COMPLETELY Before Beginning!

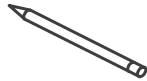
Our goal is to ensure your installation goes smoothly and safely. Please read these instructions carefully and follow recommendations for plumbing and mounting. After reading instructions, if you determine you do not have the necessary skills and/or tools, we recommend that a licensed plumbing contractor complete the installation.

If you encounter any problems during installation
PLEASE VISIT CUSTOMER SUPPORT AT
WWW.PULSESHOWERSPAS.COM
Before returning your Alcove Tub to the store

Tools Required for Installation (Not Included)



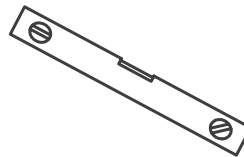
Tape Measure



Pencil/Marker



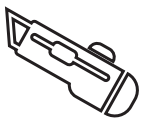
Safety Glass



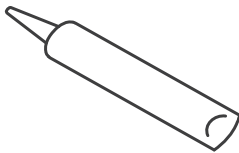
Level



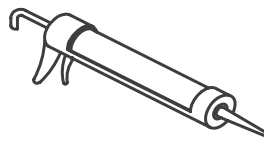
Soft Cloth or Blanket



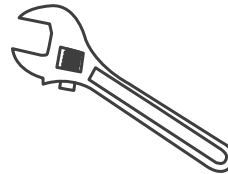
Knife



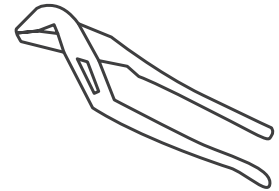
Silicone



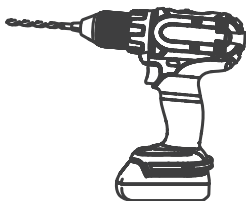
Caulk Gun



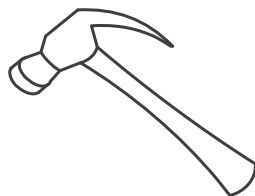
Adjustable Wrench



Channel Lock Pliers



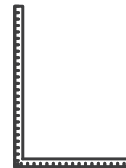
Drill



Hammer



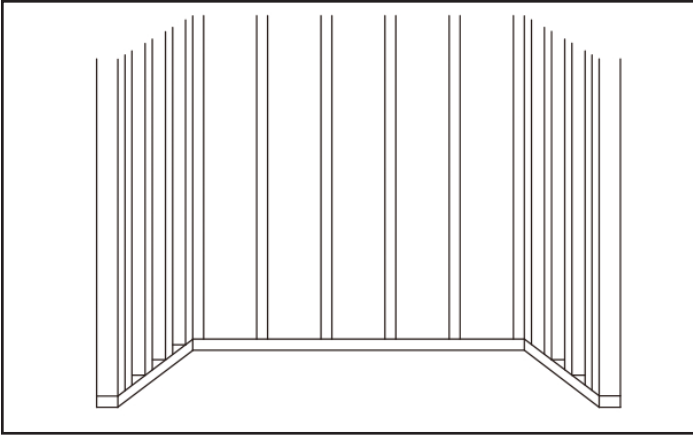
Hacksaw



Framing Square

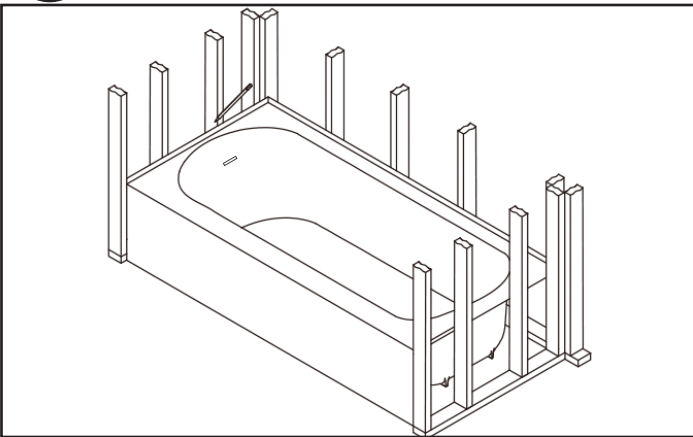
Installation Instructions

1



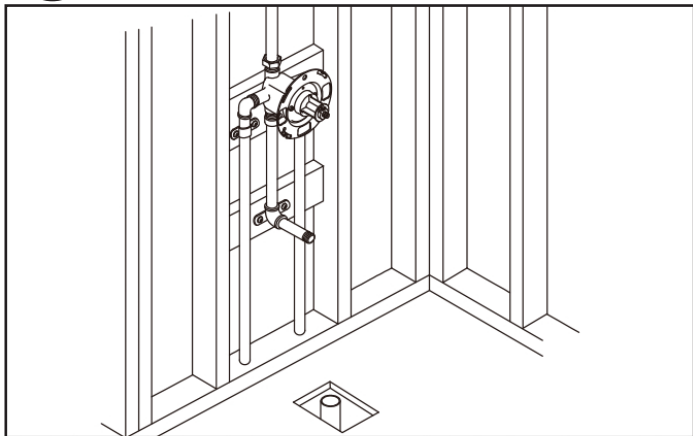
Prepare area by framing where the tub will be installed. Ensure subfloor is level. If needed, level subfloor with leveling compound or mortar over entire area of installation.

2



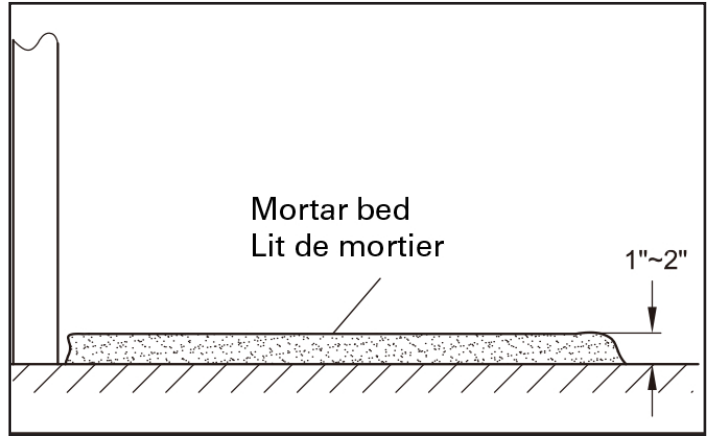
Place the tub in the location it will be installed. Level tub on all sides and mark the location of the drain and the wall studs on the tiles flange.

3



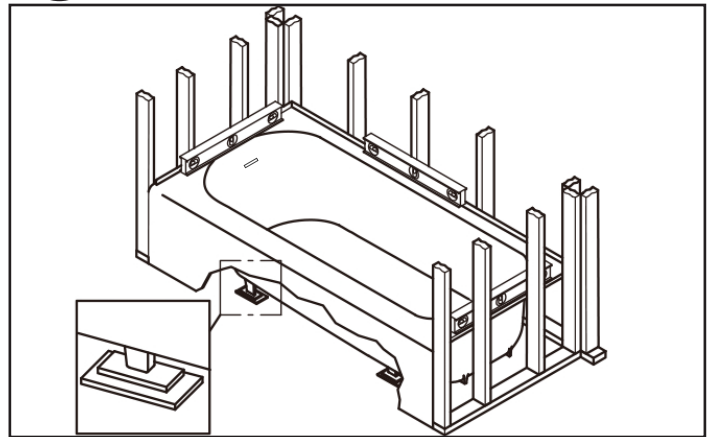
Remove the tub and install the drain, predrill holes on tile flange at the marked location of the studs.

4



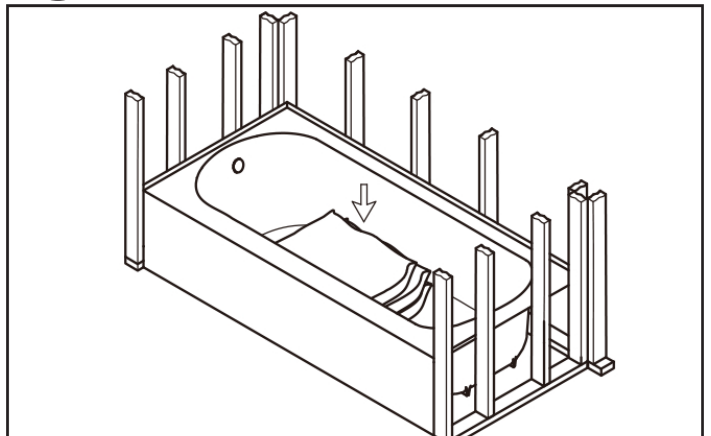
Apply a thin layer (1" to 2") of mortar mix cement to the area where your tub will be sitting.

5



Move the tub into place, make sure it is level and plumb adjust feet or shim as necessary.

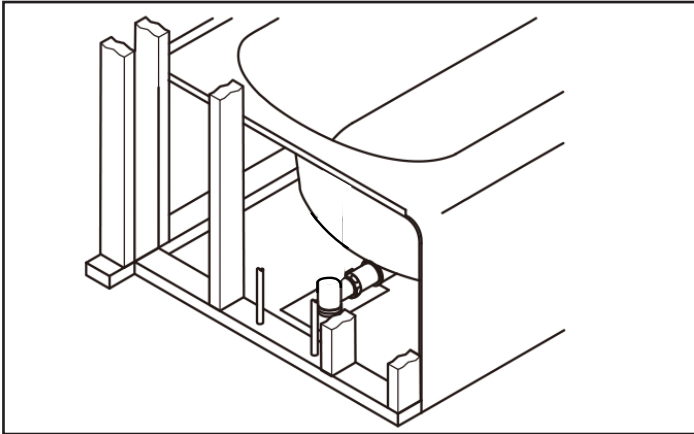
6



Secure the wall with galvanized screws at the predrilled screw location, apply weight to the middle of the tub until the mortar sets.

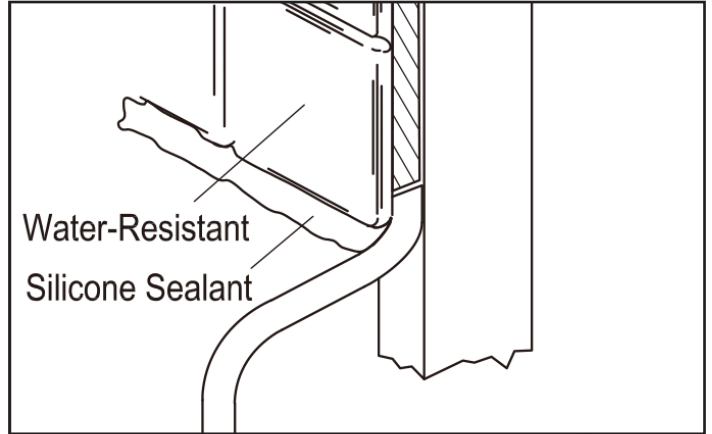
Installation Instructions

7



Connect the tub drain to your drain system.

8



Install water resistant gypsum board and finish surface material (tile, stone) and seal all edges with silicone caulking to prevent water damage.

NOTES

